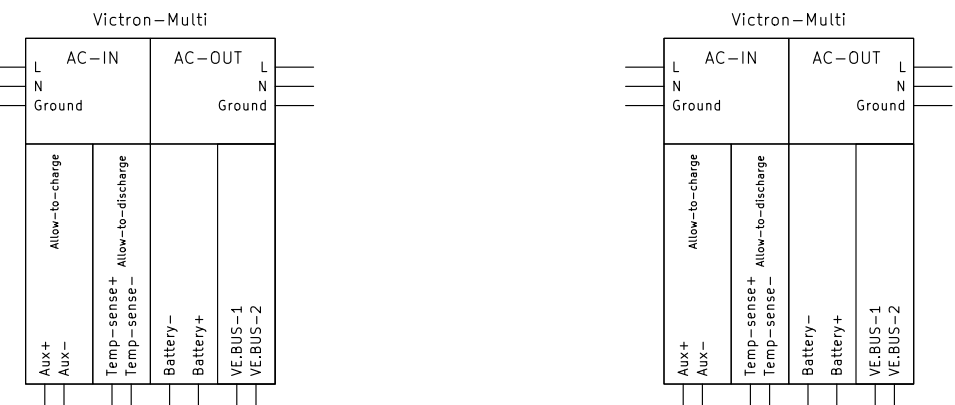
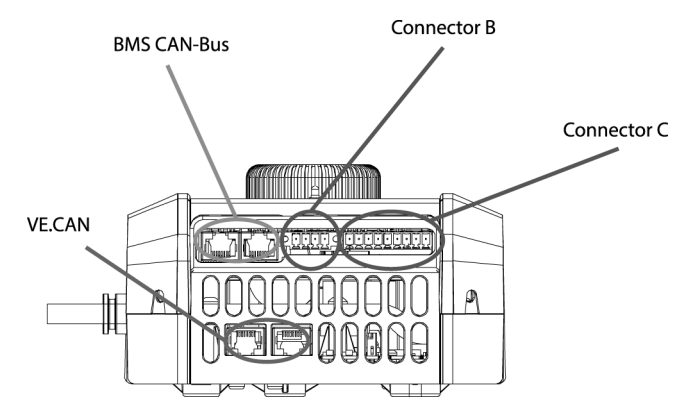


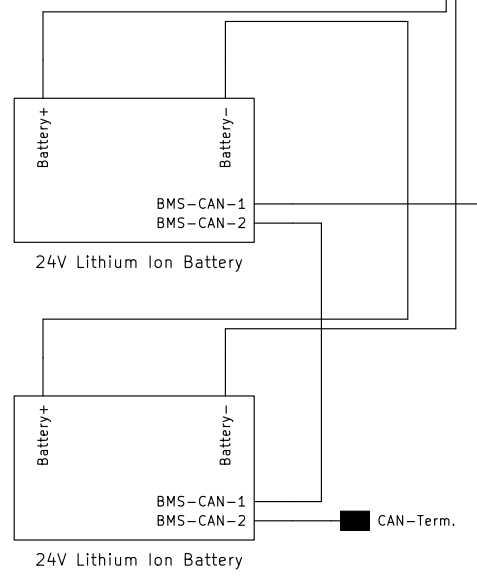
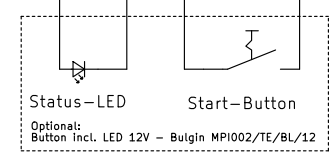
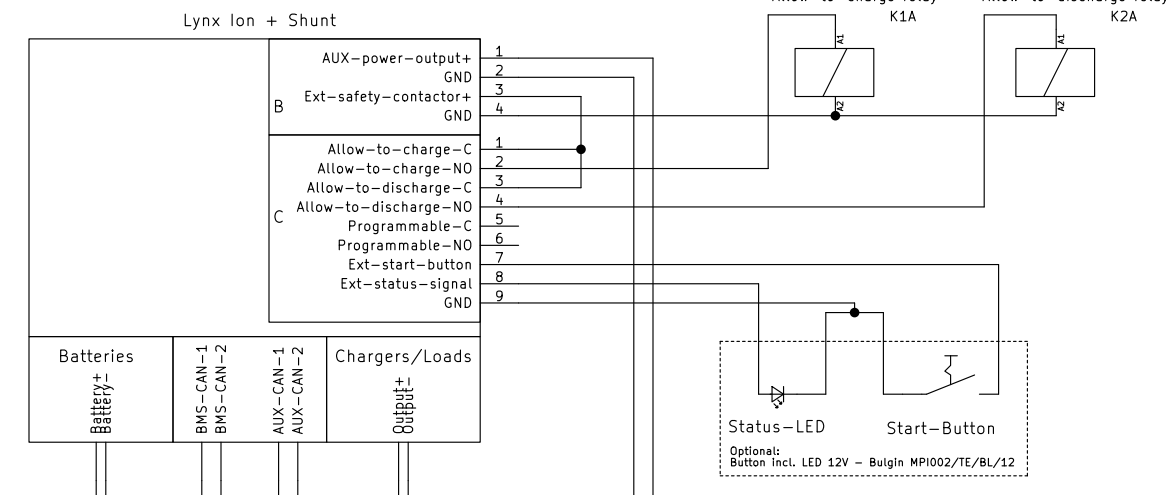
Victron Multi's/Quattro's

Shore power AC 230VAC/50Hz

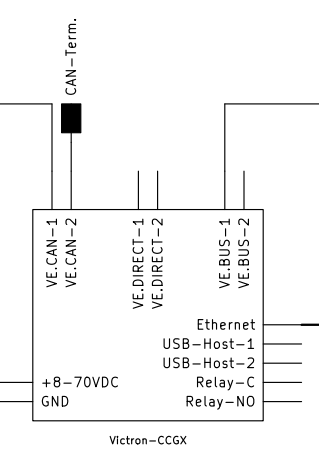
NOTE: To use the Victron Quattro/Multi in combination with the MG Master LV, there must be an assistant configured. If the assistant is configured properly, the allow-to-charge and allow-to-discharge contacts are enabled.



Lynx Ion + Shunt



Lithium-Ion Batteries



Victron Color Control GX (CCGX)

MOD-Bus-TCP

Master LV LI IO connections:

Conn	Pin	I/O	Voltage Max.	Current Max.	Purpose
B	1	Out	+ V System	5 A	Aux. power output
	2		GND		
	3	Out	+ V System	5 A	External safety contactor
	4		GND		
C	1		60 V	1,0 A @ 60 V	Allow-to-charge
	2		60 V	1,0 A @ 60 V	Allow-to-discharge
	3		60 V	1,0 A @ 60 V	Programmable contact
	4		60 V	1,0 A @ 60 V	Programmable contact
	5		60 V	1,0 A @ 60 V	Programmable contact
	6	In			External START-button
	7				External status signal
	8	Out	12 V	140 mA	GND used for status signal and/or START-button
	9				